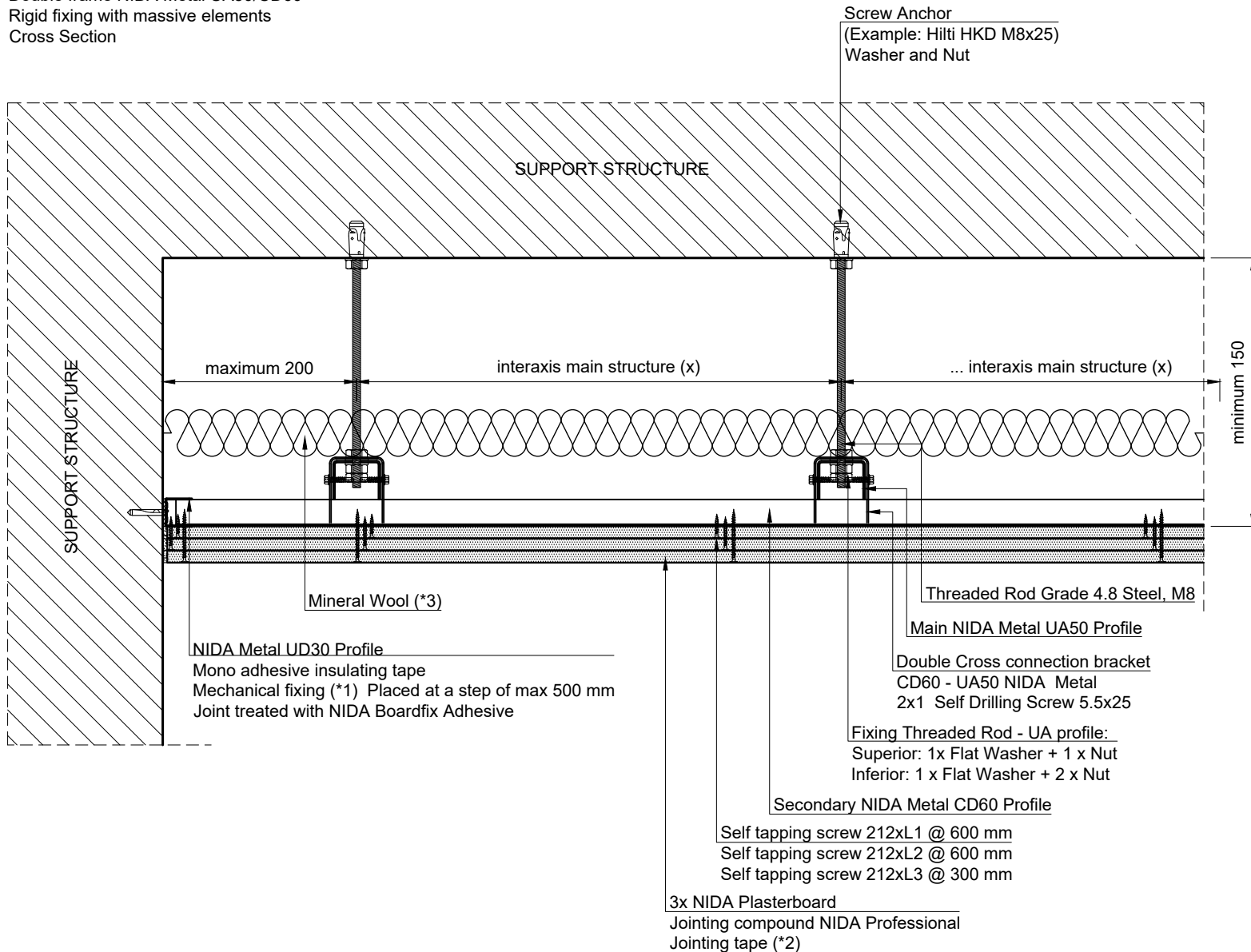


NIDA System Ceiling triple lining
 Double frame NIDA Metal UA50/CD60
 Rigid fixing with massive elements
 Cross Section



The technical details presented in this documentation represent System Type details, their adaptation to the project will be done by the specialised designer of the building in collaboration with the SINIAT technical department.

NIDA System P

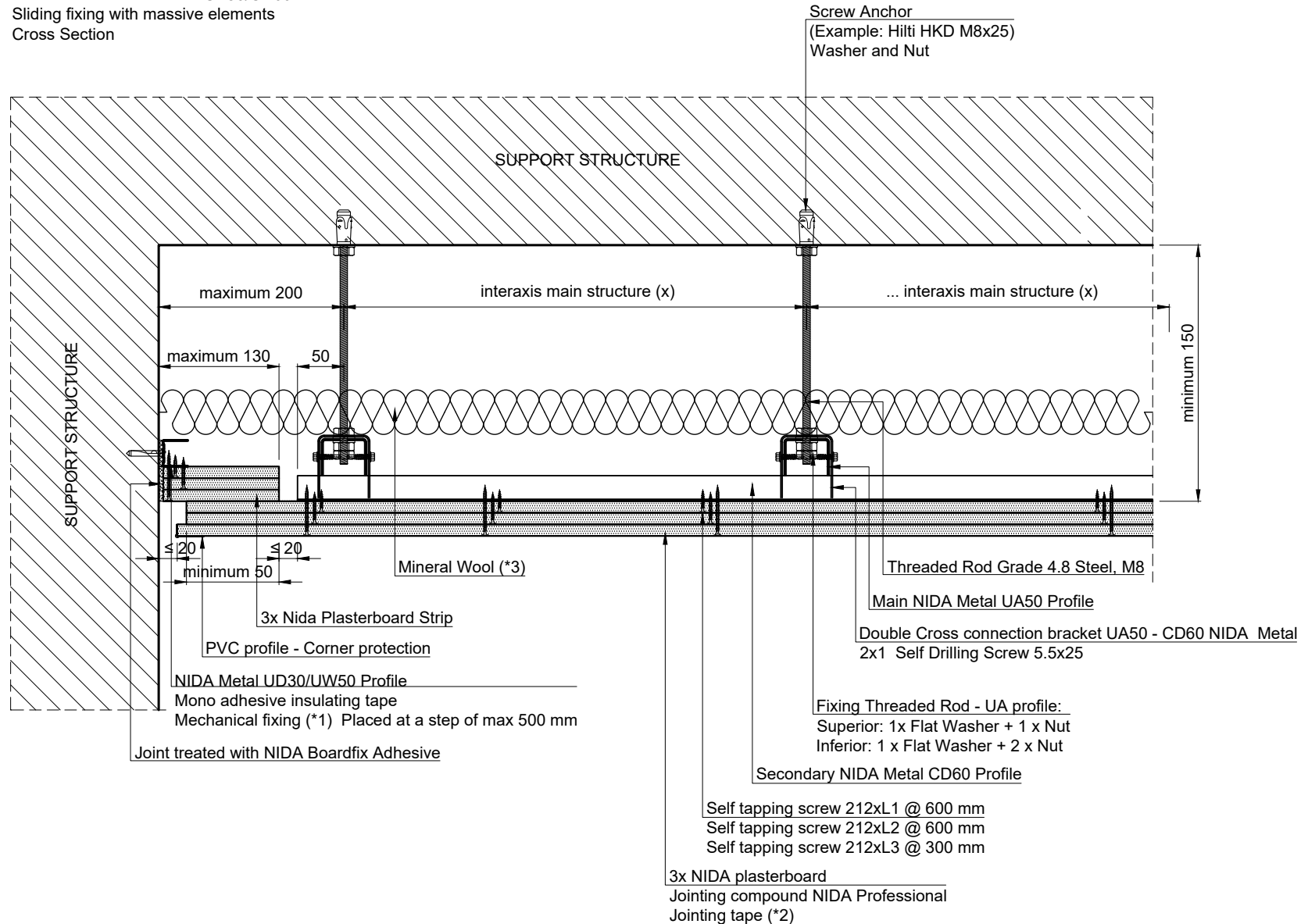
Chapter title:
 NIDA System Ceiling triple lining. Double frame NIDA Metal UA50/CD60

Subchapter title:
 Rigid fixing with massive elements. Cross Section

Drawing no:	Edition no:	Scale:	Date:
P3.S2.UC.001	1	1:5	2019



NIDA System Ceiling triple lining
 Double frame NIDA Metal UA50/CD60
 Sliding fixing with massive elements
 Cross Section



The technical details presented in this documentation represent System Type details, their adaptation to the project will be done by the specialised designer of the building in collaboration with the SINIAT technical department.

NIDA System P

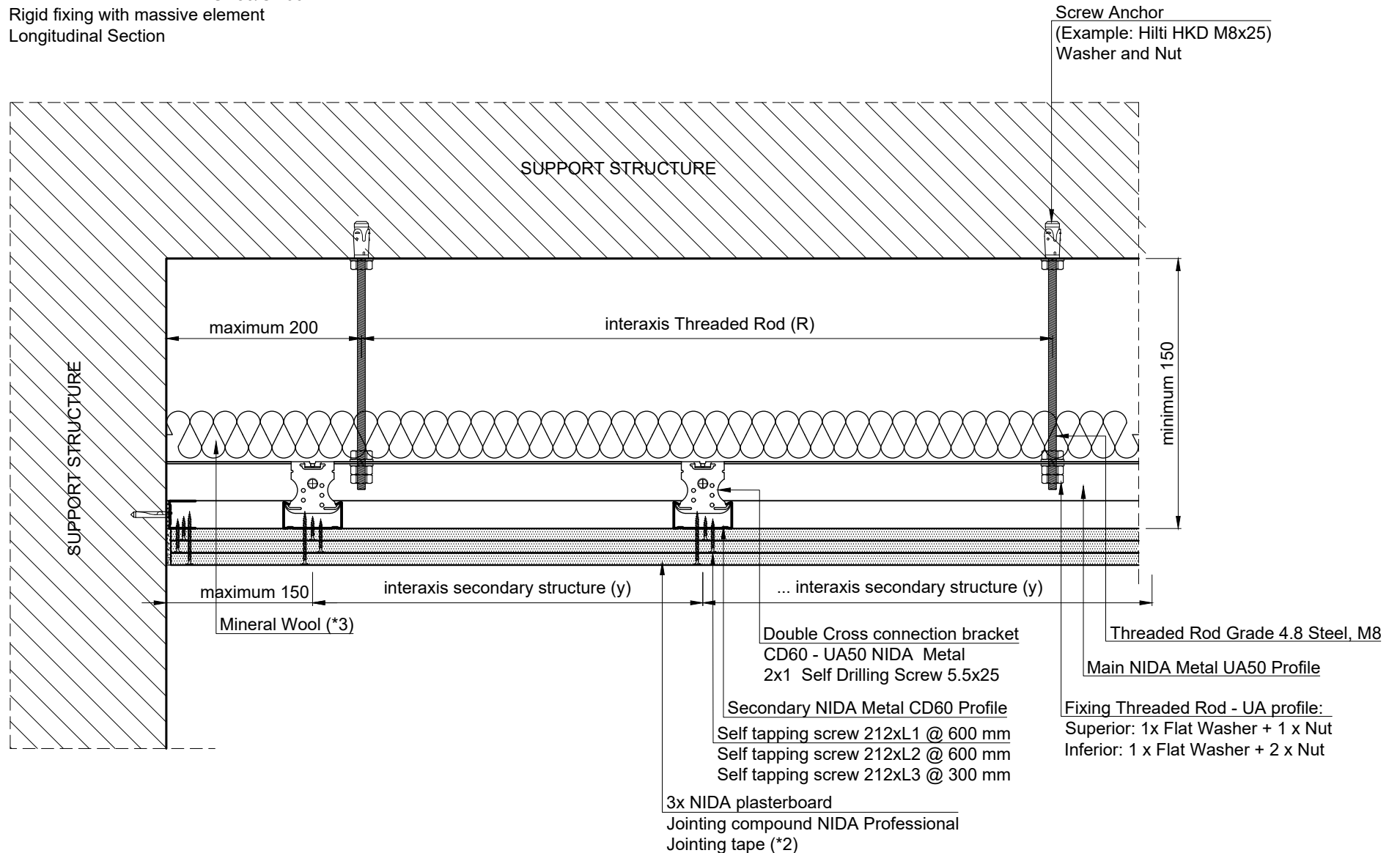
Chapter title:
 NIDA System Ceiling triple lining. Double frame NIDA Metal UA50/CD60

Subchapter title:
 Sliding fixing with massive elements. Cross Section

Drawing no:	Edition no:	Scale:	Date:
P3.S2.UC.002	1	1:5	2019



NIDA System Ceiling triple lining
 Double frame NIDA Metal UA50/CD60
 Rigid fixing with massive element
 Longitudinal Section



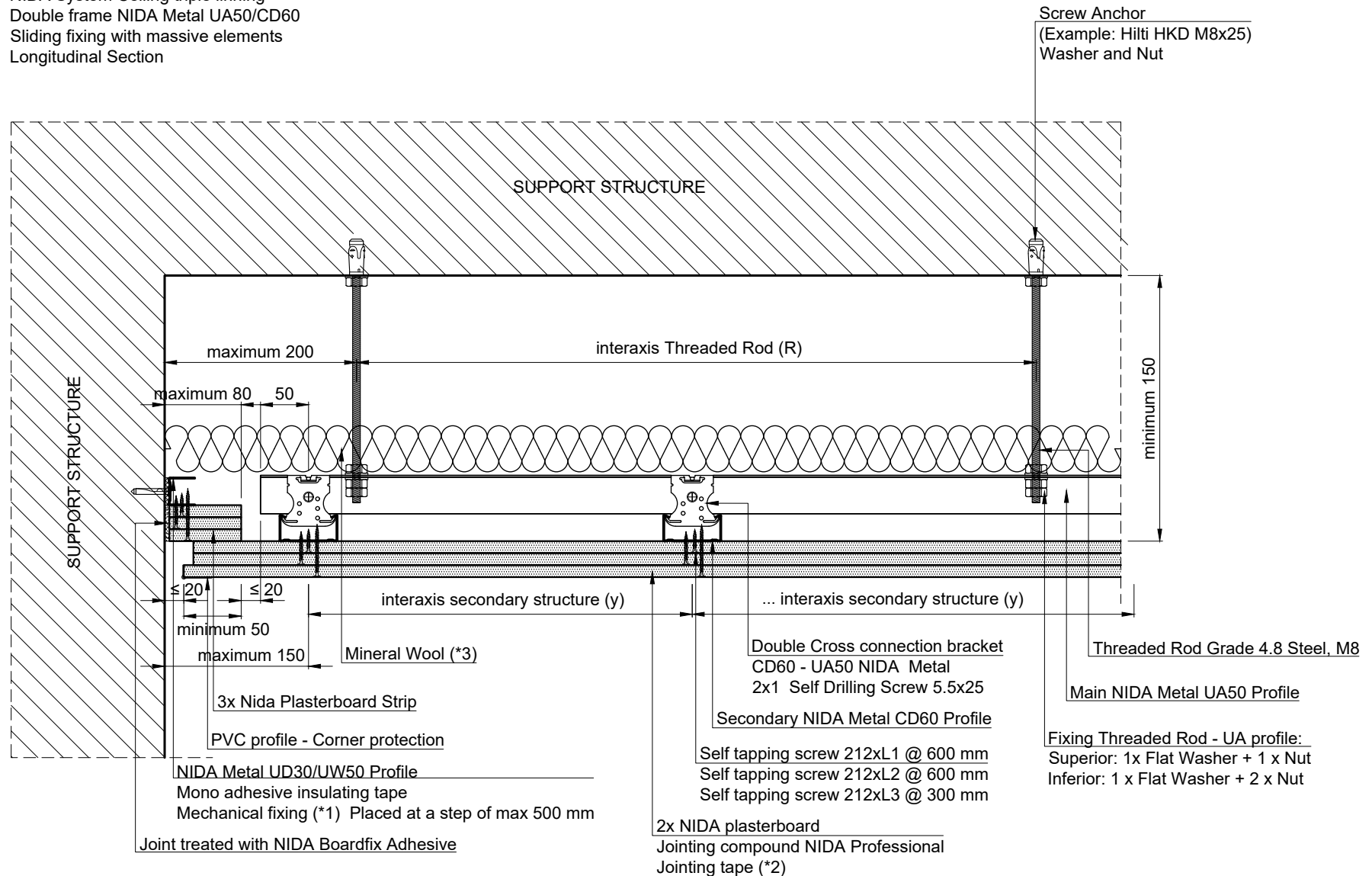
The technical details presented in this documentation represent System Type details, their adaptation to the project will be done by the specialised designer of the building in collaboration with the SINIAT technical department.

NIDA System P

Chapter title: NIDA System Ceiling triple lining. Double frame NIDA Metal UA50/CD60			
Subchapter title: Rigid fixing with massive elements. Longitudinal Section			
Drawing no: P3.S2.UC.003	Edition no: 1	Scale: 1:5	Date: 2019



NIDA System Ceiling triple lining
 Double frame NIDA Metal UA50/CD60
 Sliding fixing with massive elements
 Longitudinal Section



The technical details presented in this documentation represent System Type details, their adaptation to the project will be done by the specialised designer of the building in collaboration with the SINIAT technical department.

NIDA System P

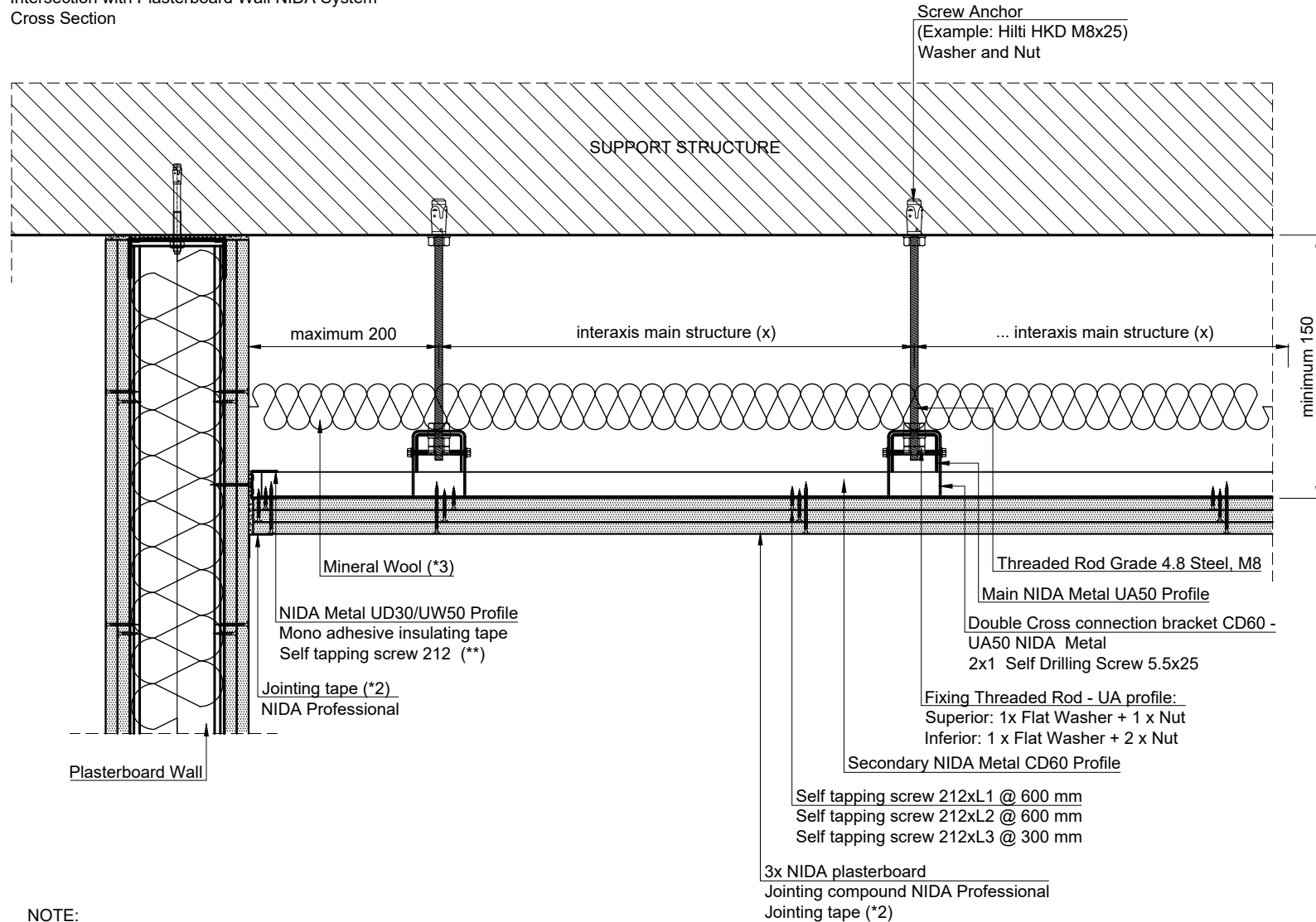
Chapter title:
 NIDA System Ceiling triple lining. Double frame NIDA Metal UA50/CD60

Subchapter title:
 Sliding fixing with massive elements. Longitudinal Section

Drawing no: P3.S2.UC.004	Edition no: 1	Scale: 1:5	Date: 2019
-----------------------------	------------------	---------------	---------------



NIDA System Ceiling triple lining
 Double frame NIDA Metal UA50/CD60
 Intersection with Plasterboard Wall NIDA System
 Cross Section



NOTE:

(**) The self tapping screw shall be fixed on the metal structure of the Dry Wall, the length of the screw will be according to the thickness of the fixing package (thickness of layers of wall boards)

The technical details presented in this documentation represent System Type details, their adaptation to the project will be done by the specialised designer of the building in collaboration with the SINIAT technical department.

NIDA System P

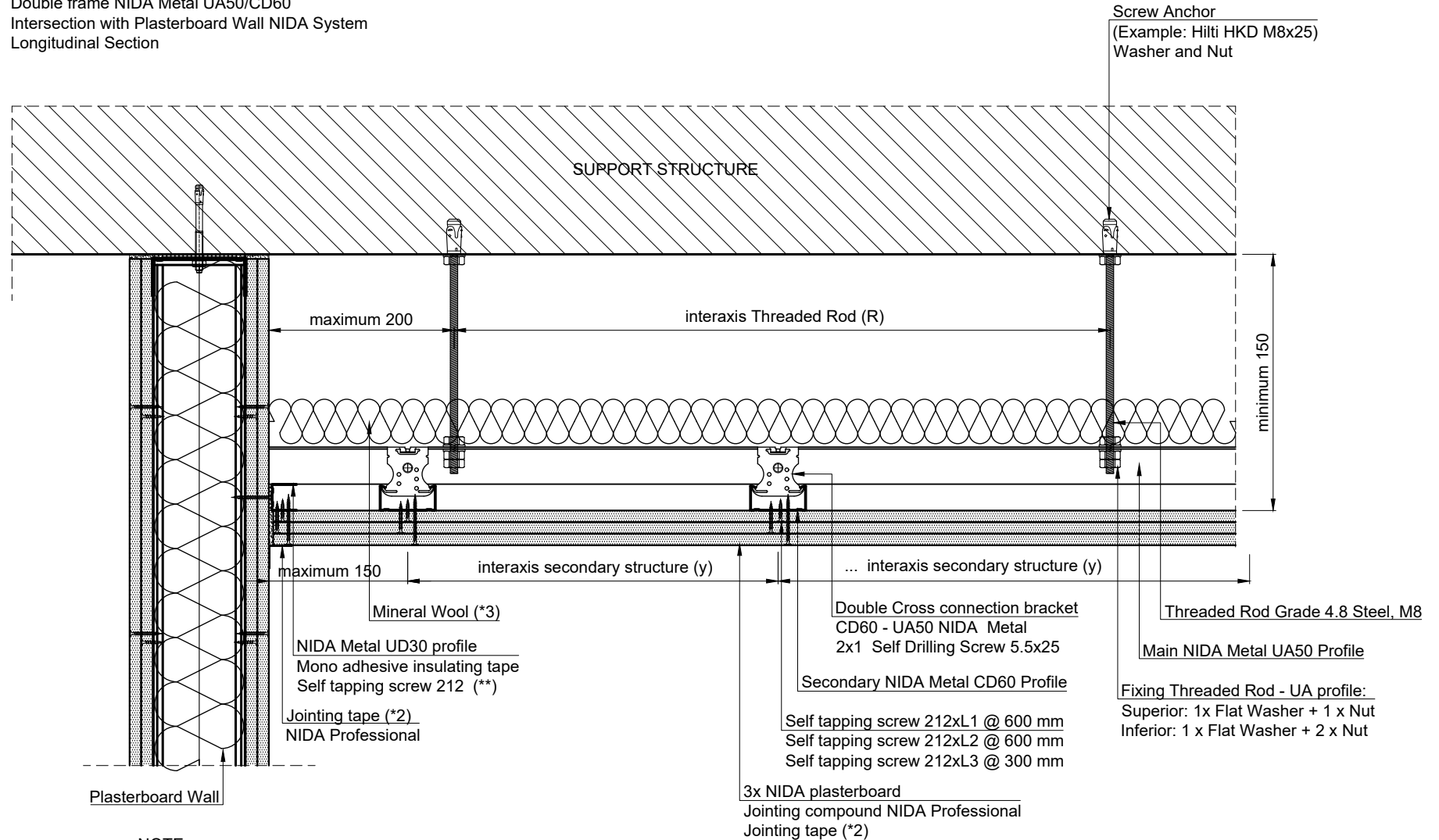
Chapter title:
 NIDA System Ceiling triple lining. Double frame NIDA Metal UA50/CD60

Subchapter title:
 Intersection with Plasterboard Wall NIDA System. Cross Section

Drawing no: P3.S2.UC.005	Edition no: 1	Scale: 1:5	Date: 2019
-----------------------------	------------------	---------------	---------------



NIDA System Ceiling triple lining
 Double frame NIDA Metal UA50/CD60
 Intersection with Plasterboard Wall NIDA System
 Longitudinal Section



NOTE:

(**) The self tapping screw shall be fixed on the metal structure of the Dry Wall, the length of the screw will be according to the thickness of the fixing package (thickness of layers of wall boards)

The technical details presented in this documentation represent System Type details, their adaptation to the project will be done by the specialised designer of the building in collaboration with the SINIAT technical department.

NIDA System P

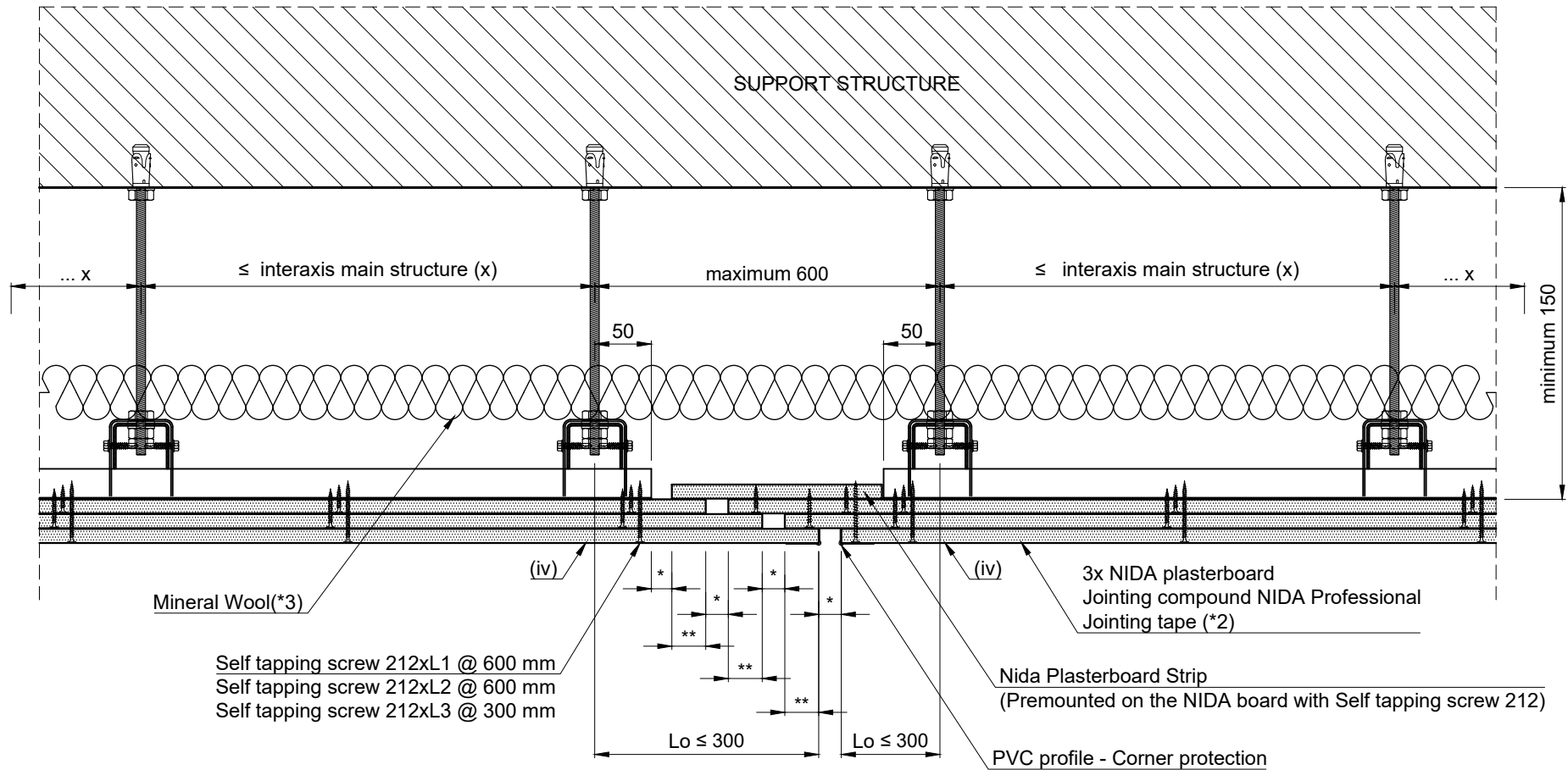
Chapter title:
 NIDA System Ceiling triple lining. Double frame NIDA Metal UA50/CD60

Subchapter title:
 Intersection with Plasterboard Wall NIDA System. Longitudinal section

Drawing no: P3.S2.UC.006	Edition no: 1	Scale: 1:5	Date: 2019
-----------------------------	------------------	---------------	---------------



NIDA System Ceiling triple lining
 Double frame NIDA Metal UA50/CD60
 Expansion joint
 Cross Section



NOTE:

- (iv) For the last row of plasterboards joints shall not be made in the indicated area;
 The joint shall also be placed right to the structural joints;
- * The size of the joint's gap will be established considering the size of the structural joint's gap but not less than 20 mm;
- ** Boards overlap shall have a value of minimum (* + 10 mm)

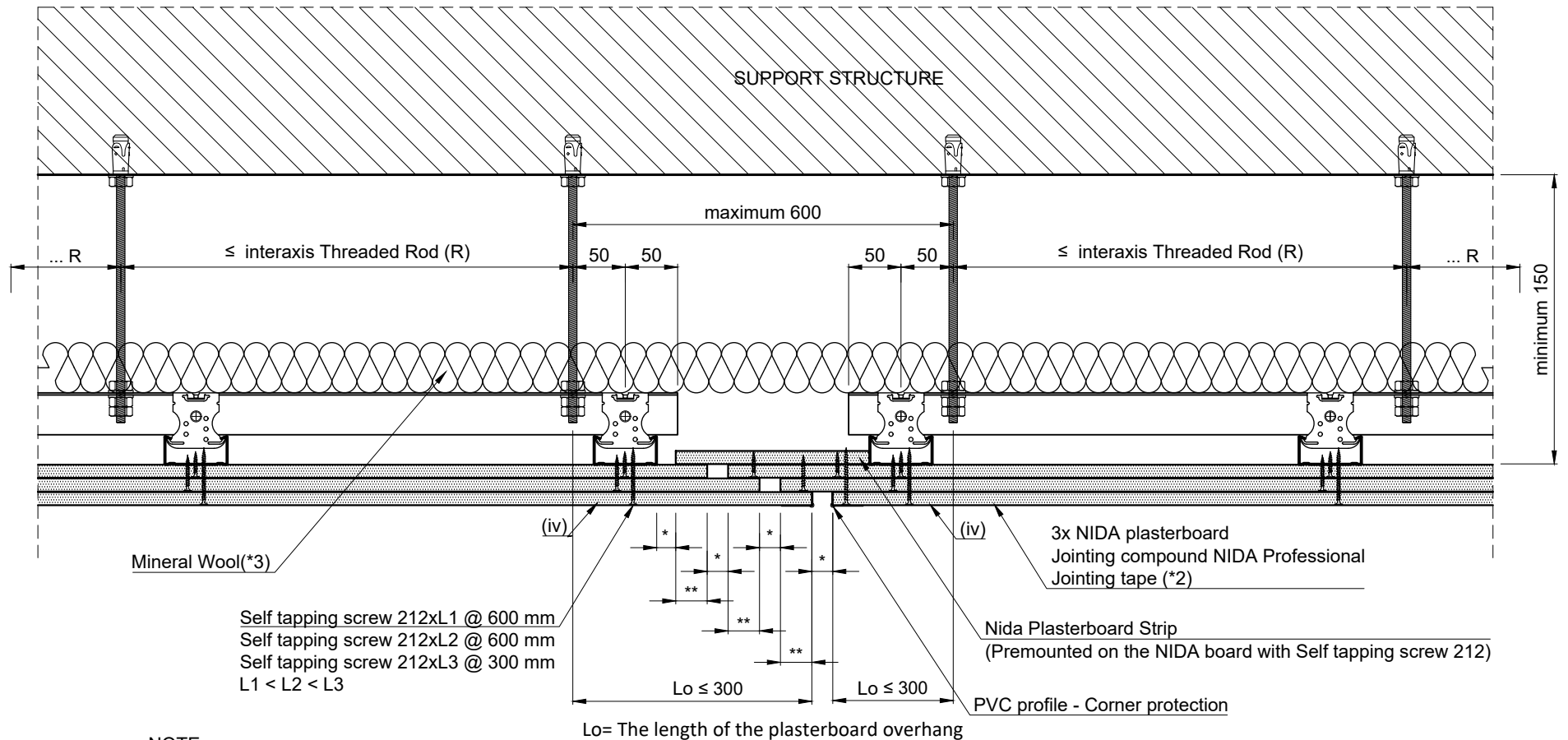
The technical details presented in this documentation represent System Type details, their adaptation to the project will be done by the specialised designer of the building in collaboration with the SINIAT technical department.

NIDA System P

Chapter title: NIDA System Ceiling triple lining. Double frame NIDA Metal UA50/CD60			
Subchapter title: Expansion joint. Cross Section			
Drawing no: P3.S2.UC.007	Edition no: 1	Scale: 1:5	Date: 2019



NIDA System Ceiling triple lining
 Double frame NIDA Metal UA50/CD60
 Expansion joint
 Longitudinal Section



NOTE:

- (iv) For the last row of plasterboards joints shall not be made in the indicated area;
 The joint shall also be placed right to the structural joints;
- * The size of the joint's gap will be established considering the size of the structural joint's gap but not less than 20 mm;
- ** Boards overlap shall have a value of minimum (* + 10 mm)

The technical details presented in this documentation represent System Type details, their adaptation to the project will be done by the specialised designer of the building in collaboration with the SINIAT technical department.

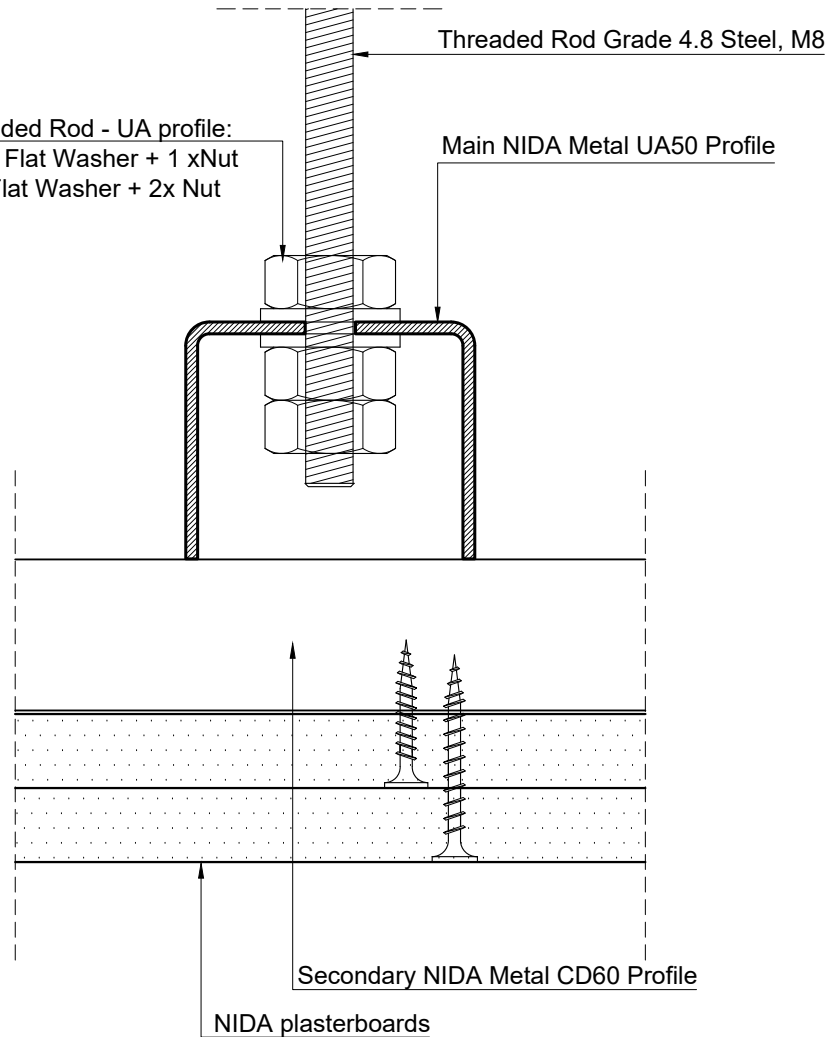
NIDA System P

Chapter title: NIDA System Ceiling triple lining. Double frame NIDA Metal UA50/CD60			
Subchapter title: Expansion joint. Longitudinal Section			
Drawing no: P3.S2.UC.008	Edition no: 1	Scale: 1:5	Date: 2019



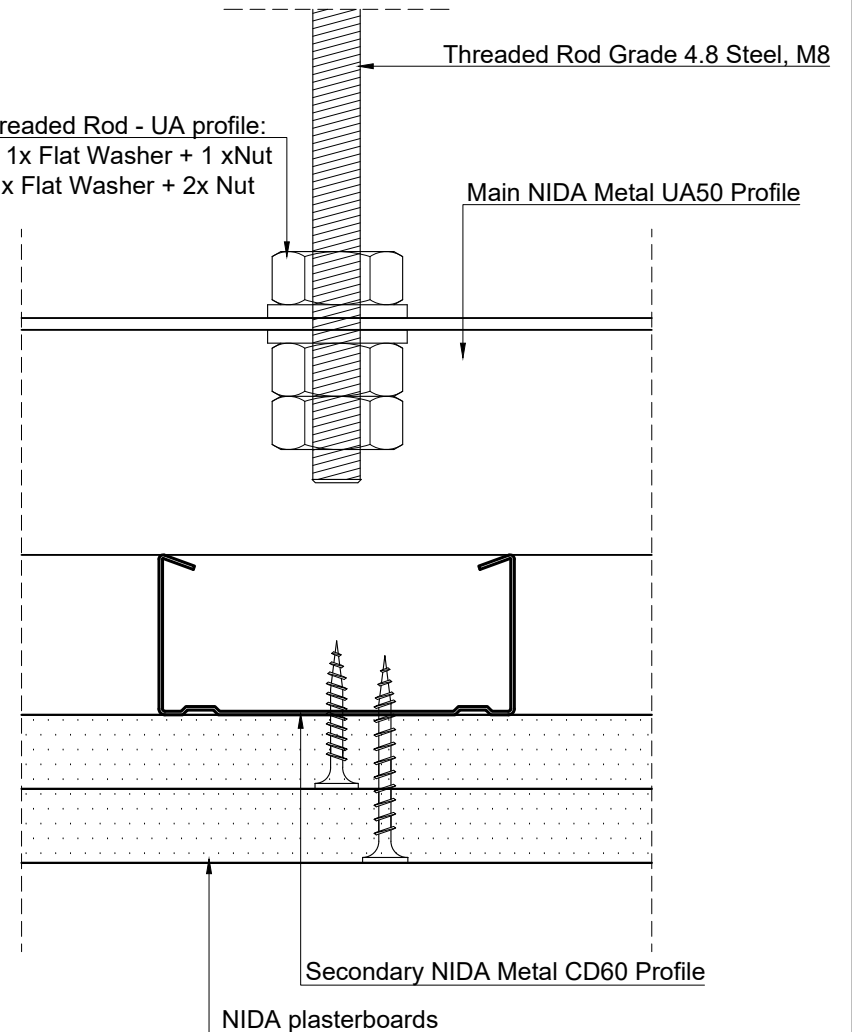
NIDA System Ceiling
 Double frame NIDA Metal UA50/CD60
 Fixing Threaded Rod Detail
 Cross Section

Fixing Threaded Rod - UA profile:
 Superior: 1x Flat Washer + 1 xNut
 Inferior: 1x Flat Washer + 2x Nut



NIDA System Ceiling
 Double frame NIDA Metal UA50/CD60
 Fixing Threaded Rod Detail
 Longitudinal Section

Fixing Threaded Rod - UA profile:
 Superior: 1x Flat Washer + 1 xNut
 Inferior: 1x Flat Washer + 2x Nut



The technical details presented in this documentation represent System Type details, their adaptation to the project will be done by the specialised designer of the building in collaboration with the SINIAT technical department.

NIDA System P

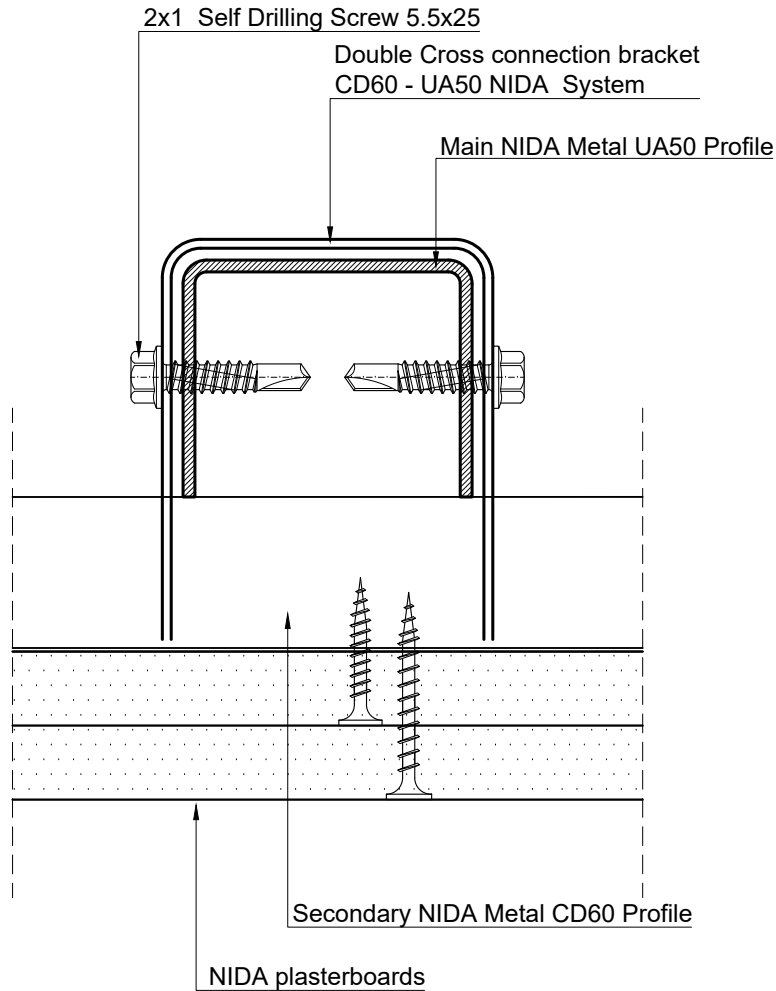
Chapter title:
 NIDA System Ceiling triple lining. Double frame NIDA Metal UA50/CD60

Subchapter title:
 Fixing Threaded Rod Detail. Cross and Longitudinal Section

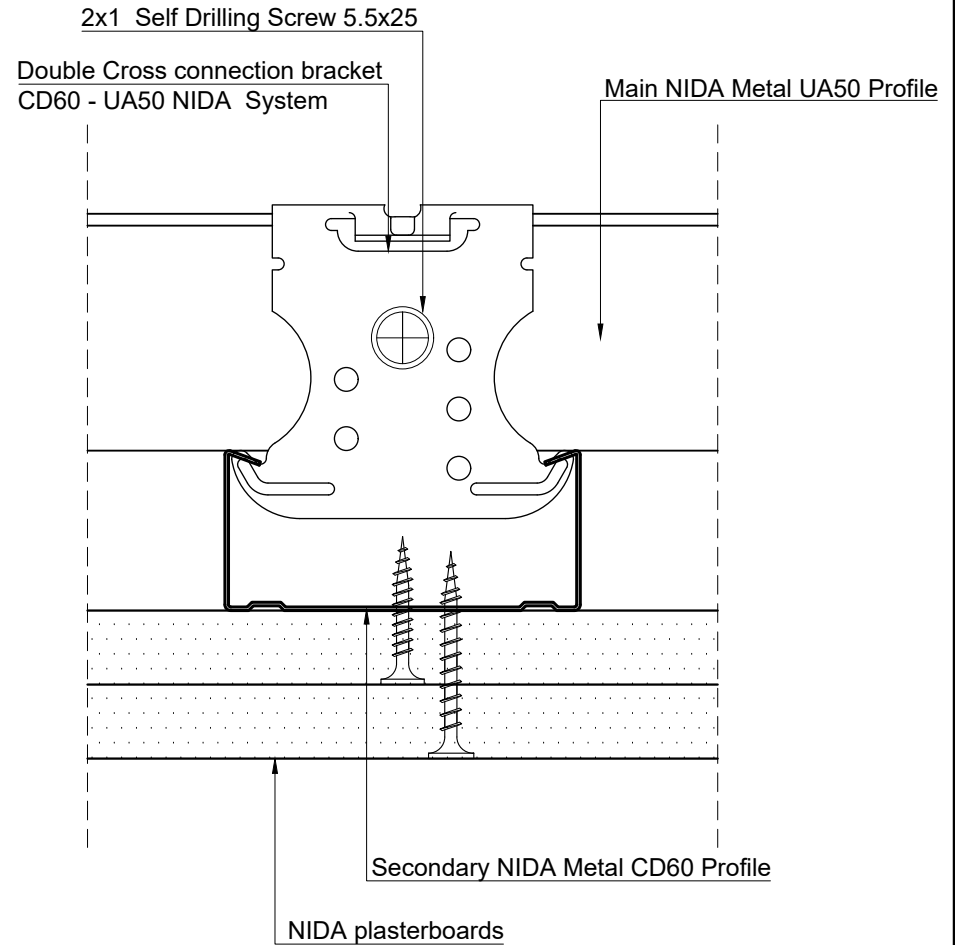
Drawing no:	Edition no:	Scale:	Date:
P3.S2.UC.009	1	1:5	2019



NIDA System Ceiling
 Double frame NIDA Metal UA50/CD60
 Fixing profiles UA50 - CD 60
 Cross Section



NIDA System Ceiling
 Double frame NIDA Metal UA50/CD60
 Fixing profiles UA50 - CD 60
 Longitudinal Section



The technical details presented in this documentation represent System Type details, their adaptation to the project will be done by the specialised designer of the building in collaboration with the SINIAT technical department.

NIDA System P

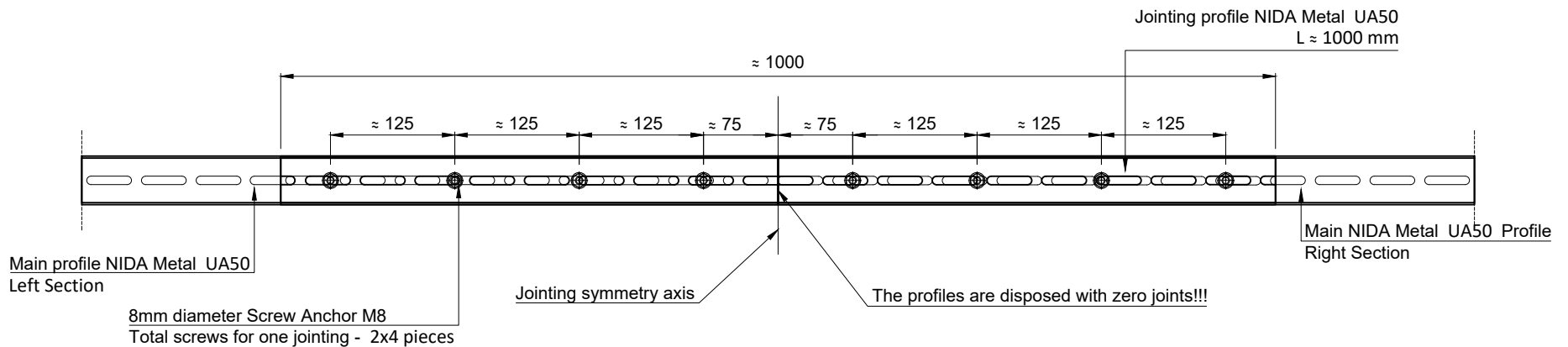
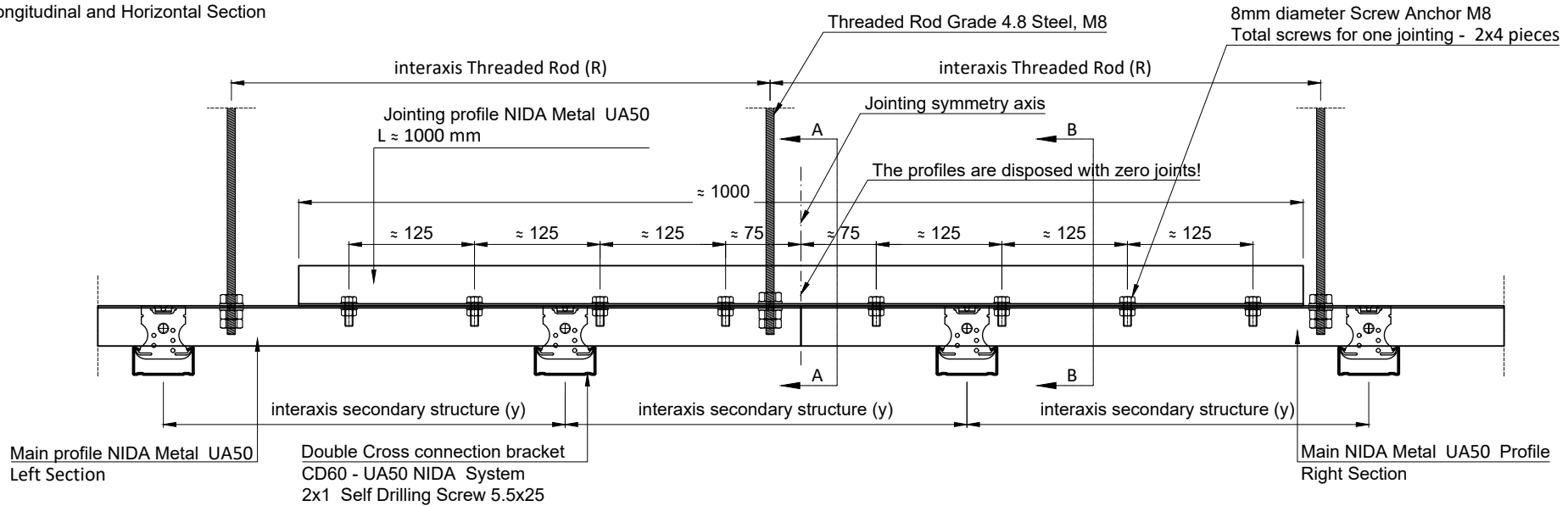
Chapter title:
 NIDA System Ceiling triple lining. Double frame NIDA Metal UA50/CD60

Subchapter title:
 Fixing profiles UA50 - CD 60. Cross and Longitudinal Section

Drawing no: P3.S2.UC.010	Edition no: 1	Scale: 1:5	Date: 2019
-----------------------------	------------------	---------------	---------------



NIDA System Ceiling
 Double frame NIDA Metal UA50/CD60
 Jointing profile detail NIDA Metal UA50
 Longitudinal and Horizontal Section



The technical details presented in this documentation represent System Type details, their adaptation to the project will be done by the specialised designer of the building in collaboration with the SINIAT technical department.

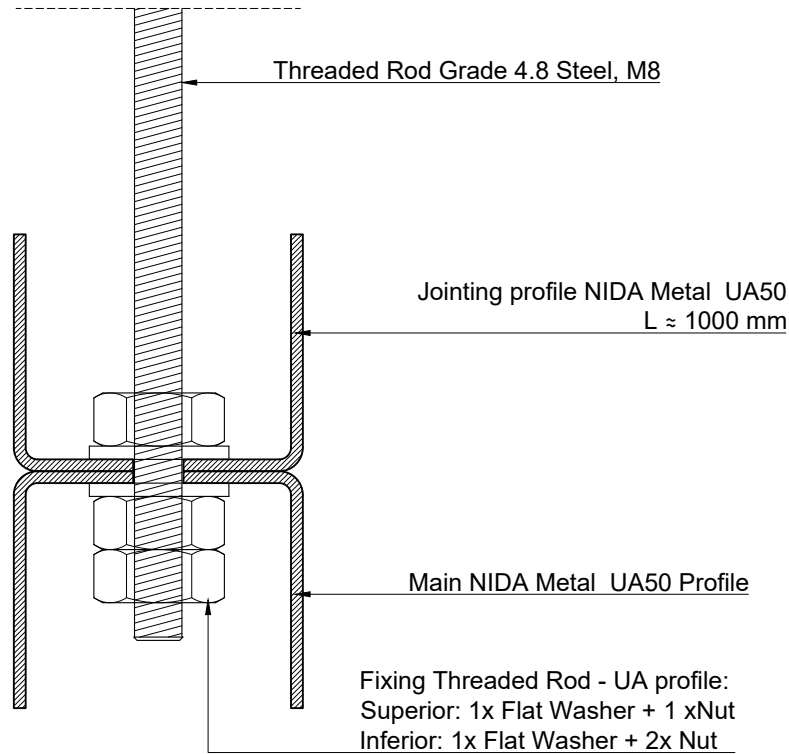
NIDA System P

Chapter title:
 NIDA System Ceiling triple lining. Double frame NIDA Metal UA50/CD60
 Subchapter title:
 Jointing profile detail NIDA Metal UA50. Longitudinal and Cross Section

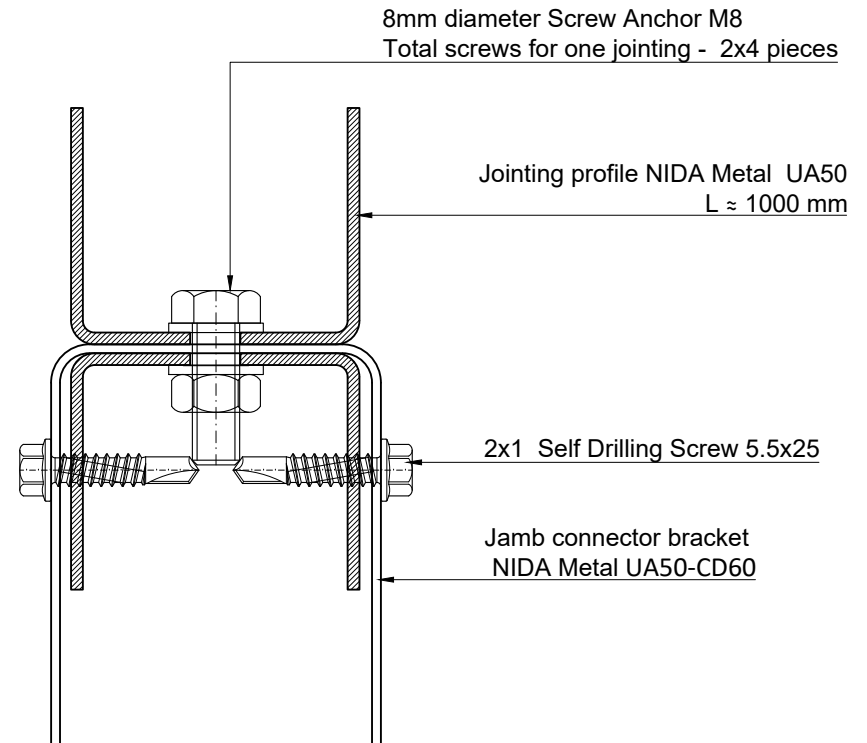
Drawing no: P3.S2.UC.011	Edition no: 1	Scale: 1:5	Date: 2019
-----------------------------	------------------	---------------	---------------



NIDA System Ceiling
 Double frame NIDA Metal UA50/CD60
 Jointing profile detail NIDA Metal UA50
 Section A-A



NIDA System Ceiling
 Double frame NIDA Metal UA50/CD60
 Jointing profile detail NIDA Metal UA50
 Section B-B



The technical details presented in this documentation represent System Type details, their adaptation to the project will be done by the specialised designer of the building in collaboration with the SINIAT technical department.

NIDA System P

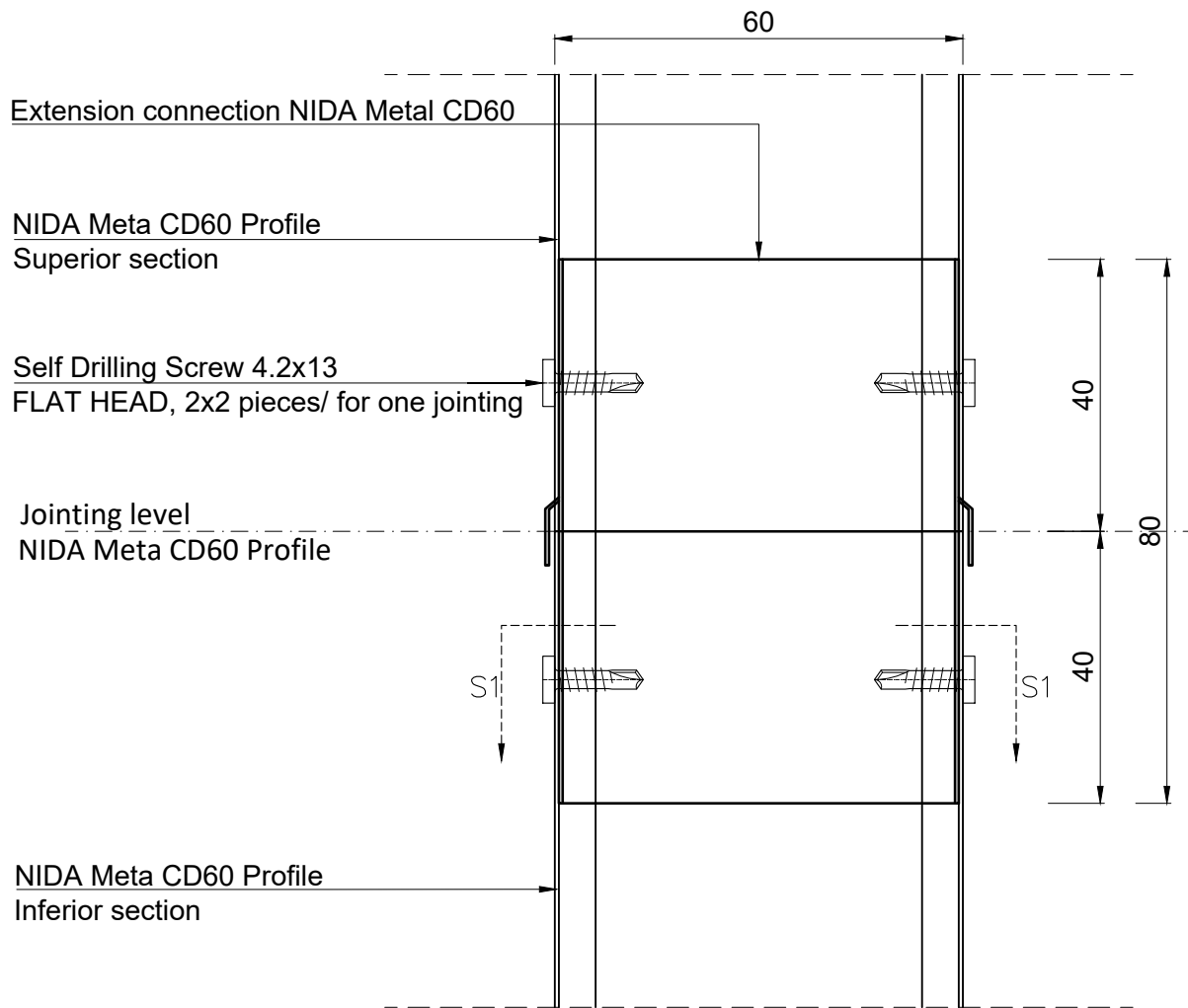
Chapter title:
 NIDA System Ceiling.Double frame NIDA Metal UA50/CD60

Subchapter title:
 Jointing profile detail NIDA Metal UA50. Section A-A and B-B

Drawing no:	Edition no:	Scale:	Date:
P3.S2.UC.012	1	1:5	2019



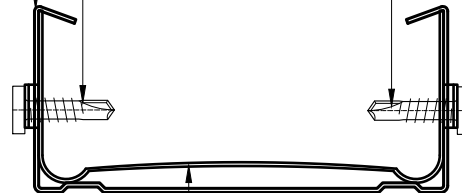
Joining Detail NIDA Metal CD60 Profile



Section S1-S1

Self Drilling Screw 4.2x13
FLAT HEAD, 2x2 pieces/ for one jointing

NIDA Metal CD60 Profile



Extension connection NIDA Metal CD 60

The technical details presented in this documentation represent System Type details, their adaptation to the project will be done by the specialised designer of the building in collaboration with the SINIAT technical department.

NIDA System P

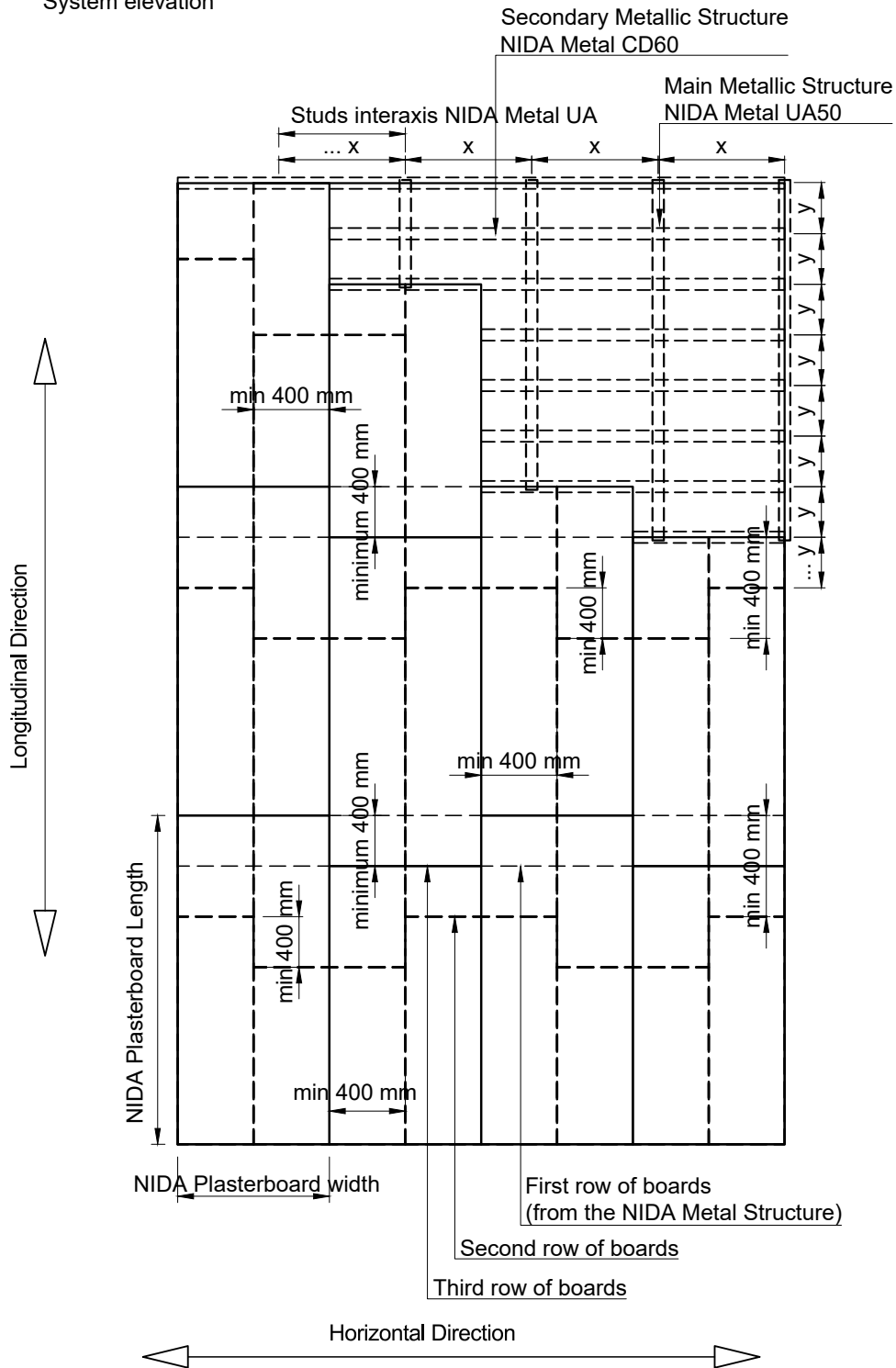
Chapter title:
NIDA System Ceiling triple lining. Double frame NIDA Metal UA50/CD60

Subchapter title:
Joining Detail NIDA Metal CD60 Profile

Drawing no:	Edition no:	Scale:	Date:
P3.S2.UC.013	1	1:5	2019



Boards staggering
System elevation



Boards are fixed perpendicular on Nida Metal CD60 profiles.
Boards staggering on longitudinal direction is minimum 400 mm.

The technical details presented in this documentation represent System Type details, their adaptation to the project will be done by the specialised designer of the building in collaboration with the SINIAT technical department.

NIDA System P

Chapter title:
NIDA System Ceiling triple lining. Double frame NIDA Metal UA50/CD60

Subchapter title:
Boards staggering. System elevation

Drawing no:	Edition no:	Scale:	Date:
P3.S2.UC.014	1	1:5	2019

